

## GW Lightweight Bio-Tray System



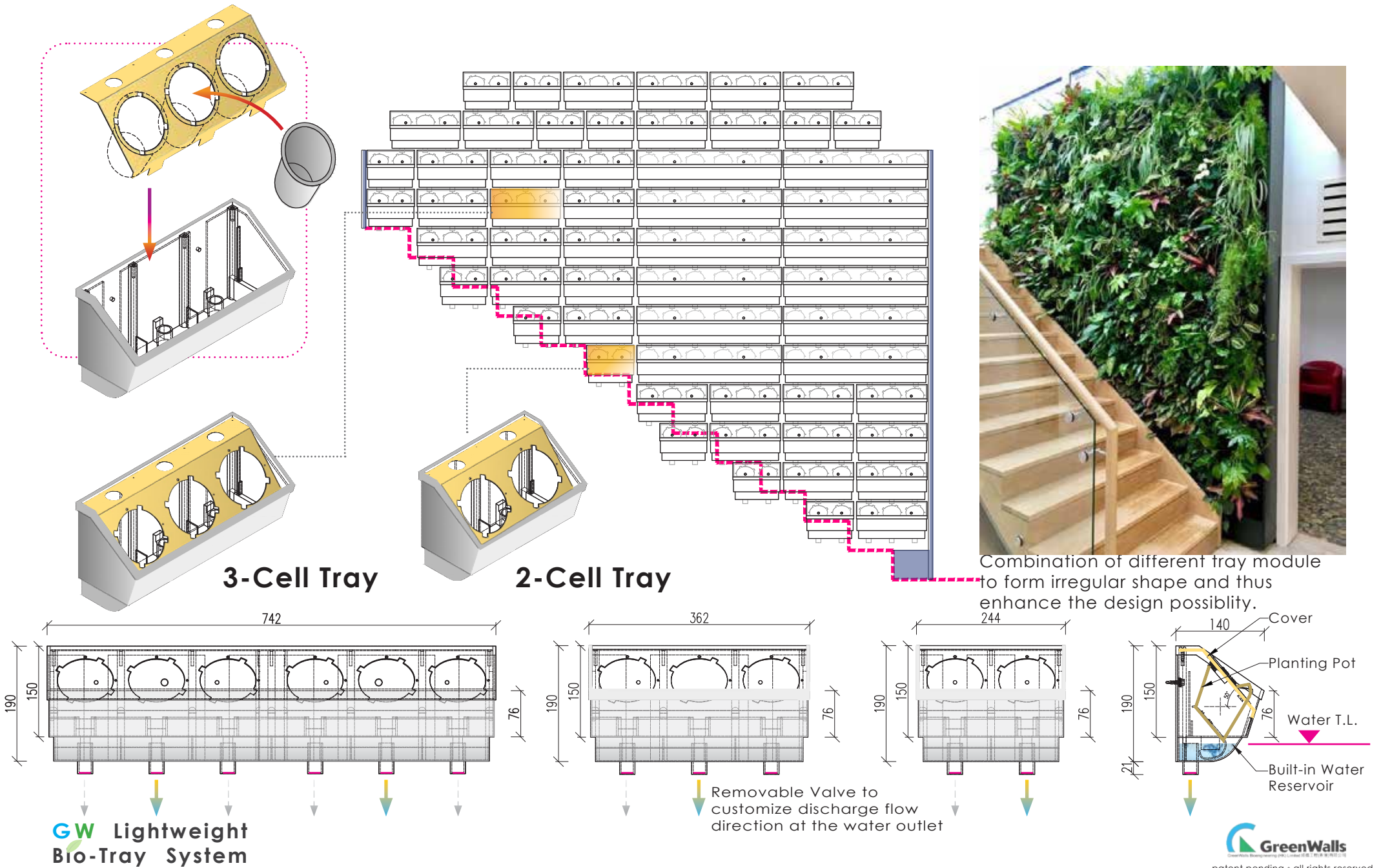
**GreenWalls Bioengineering  
(HK) Limited**

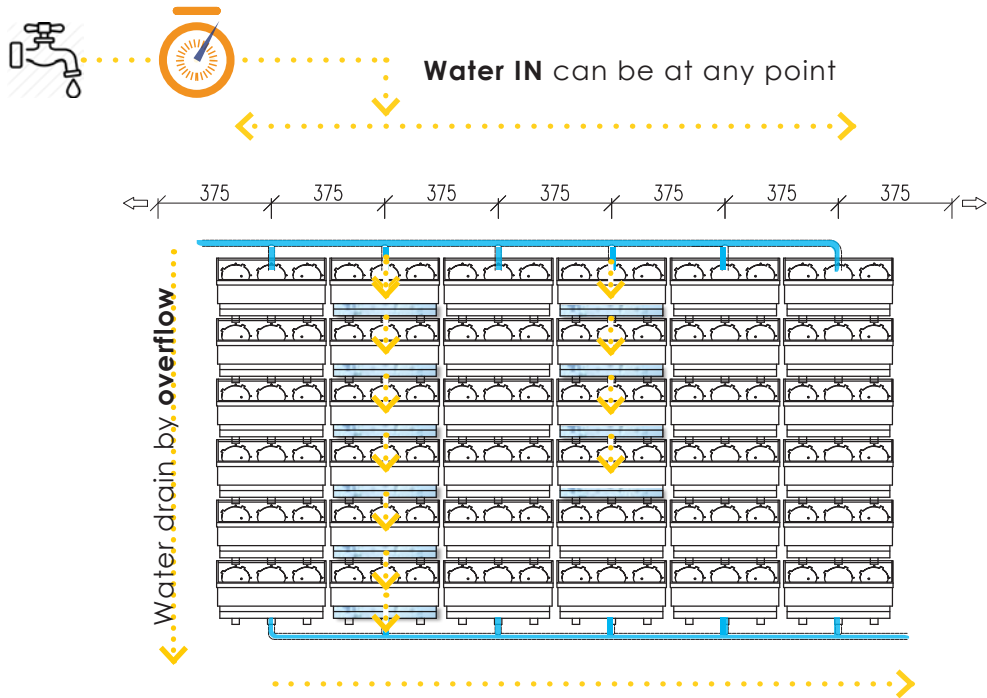
Address: Flat B, 19/F, Manly Comm Bldg.,  
15 Soy Street, Mongkok, Kowloon, HK

Web : [www.greenwalls.com.hk](http://www.greenwalls.com.hk)  
Email : [info@greenwalls.com.hk](mailto:info@greenwalls.com.hk)

 **GreenWalls**  
GreenWalls Bioengineering (HK) Limited 綠牆工程(香港)有限公司

# Configuration Flexibility





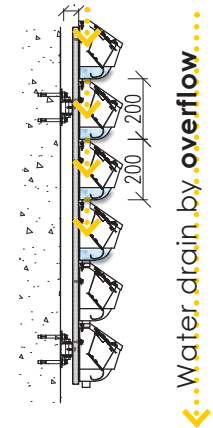
**Water IN** supplied by water tap and controlled by timer

**No Pump Room & AC Room** is required



Built-in Reservoir **overflow** and water drain to the tray below (or to water-out pipe) by gravity

**No Irrigation System** (both drip or spray) is required



**Continuous** Built-in Reservoir at the bottom  
Water **evenly distributed** to each cell

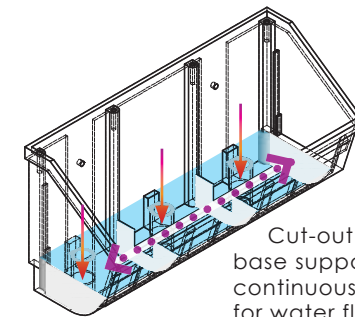
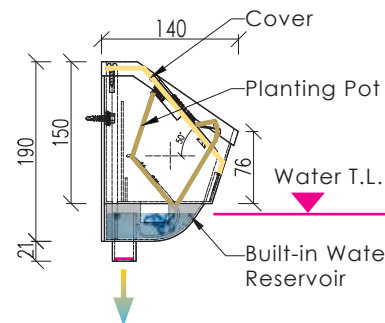
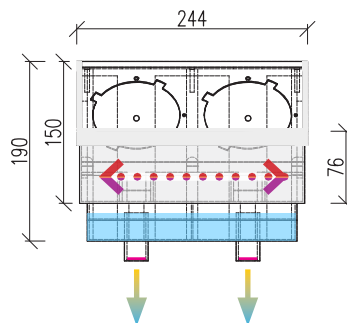
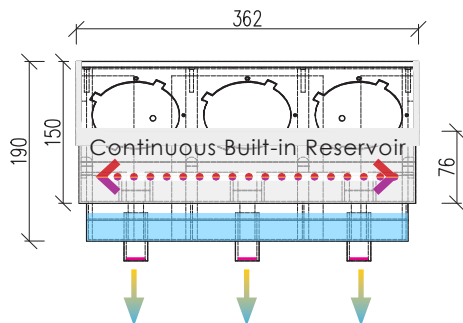


**Water OUT** direct to the drain point  
**No Gutter or Surface Channel** is required



Capping Cover clicked on the tray unit to form an enclosed box for the water Built-in Reservoir

**No ponding water** exposure for mosquitos eggs laying



Cut-out in the vertical base support to form a continuous Built-in Reservoir for water flow through

# Programmed Water Supply

## Option 1 **Digital Hose End Timer**

control the supply of water by programming features *instead of irrigation system*



- Installation of the Timer can be *any point of the building edge*
- Weather resistant



- Easy programming
- Watering duration from 1 minute to 12 hours 59 minutes in 1 minute intervals
- Seven day watering calendar
- Four start times per day



- Easy manual operations using **START** and **STOP** buttons
- Rain mode easily accessed by holding the **OFF** key for three seconds



- Low battery auto lock out to ensure that the timer valve will not open unless it can close
- *High water flow* at normal water pressures
- Battery life up to **one year** on *one 9-volt alkaline battery*



# Programmed Water Supply

## Option 2 **Bluetooth Hose End Timer**

features wireless technology combined with a full-function, waterproof timer



- Installation can be *any point of the building edge*
- Completely waterproof (IP64 certified) for operation in harsh environments



- Operates with any supported Android or iPhone smart device
- Programmed entirely using accompanying **smartphone app**
- Bluetooth communication range up to 15 m



- Manual irrigation cycle can be performed *via the app, the timer's manual program button or via the solenoid*
- Semi-automatic, automatic or manual operation
- One button to reset the timer to factory defaults or to run manually without a smartphone



- Battery life up to **one year** on two AA alkaline batteries



# APM - Advanced Planting Management

**APM** is a *Bioengineering Greening Technique Key Components* that utilized the worldwide recognized environmental-friendly *fungicide, pesticide and insecticide* biotechnologies to facilitate the selected APM plants grow with advanced **2 months biological pre-treatment process**.

Key materials selected for APM process are:

- Chitin bio-pesticidal **fertilizers**, Chito-Power & CT-A
- Sterilization and disinfection **electrolyte water**
- Nano size food grade **insecticide** mineral oil

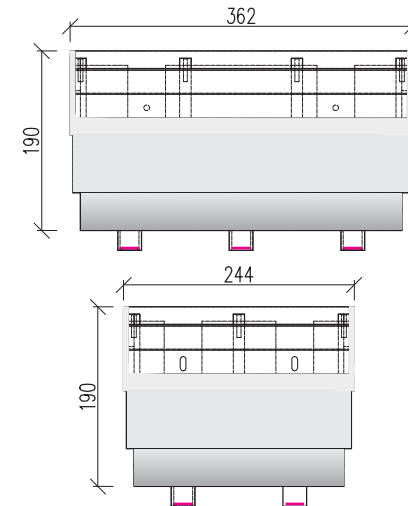


# Building Department Submission



The system is **approved** by Buildings Department, HKSAR.  
Fixing Details of the System are ***not required for BD Submission***  
as it fulfills the criteria stated in the Circular Letter issued by BD on 14 Feb 2019:

3. Nevertheless, structural details of the modular units are not required if the following criteria are met:
- (a) each modular unit is of a size not exceeding 0.75 m in height and width;
  - (b) projection of each modular unit from the plane of fixing points does not exceed 0.2 m;
  - (c) the highest point of the modular units is not more than 15 m above the adjoining ground; and
  - (d) the VG system is a proprietary system.



# GW Lightweight Bio-Tray System

- No Pump Room & AC Room is required.
- No Irrigation System (both drip or spray) is required.
- No ponding water exposure for mosquitos eggs laying.
- No chemical fertilizer is required.
- No gutter or surface channel is required.
- No intensive maintenance operation is required.
- Light weight: Total Loading 60kg/m<sup>2</sup>

thank you



**Brian Cheng**

9483 2138

brian@greenwalls.com.hk

**Tino Ng**

6208 2570

tino@greenwalls.com.hk

**Alex Law**

6208 2573

alex@greenwalls.com.hk

**GreenWalls Bioengineering (HK) Limited**

Address: Flat B, 19/F, Manly Comm Bldg.,

15 Soy Street, Mongkok, Kowloon, HK

Web : [www.greenwalls.com.hk](http://www.greenwalls.com.hk)

Email : [info@greenwalls.com.hk](mailto:info@greenwalls.com.hk)

